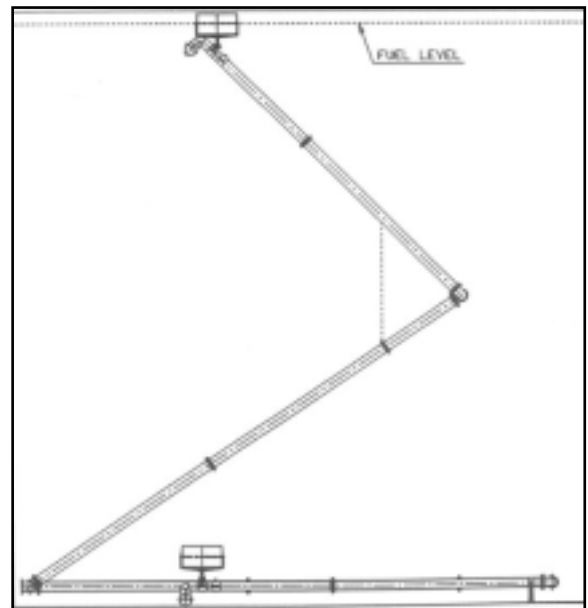
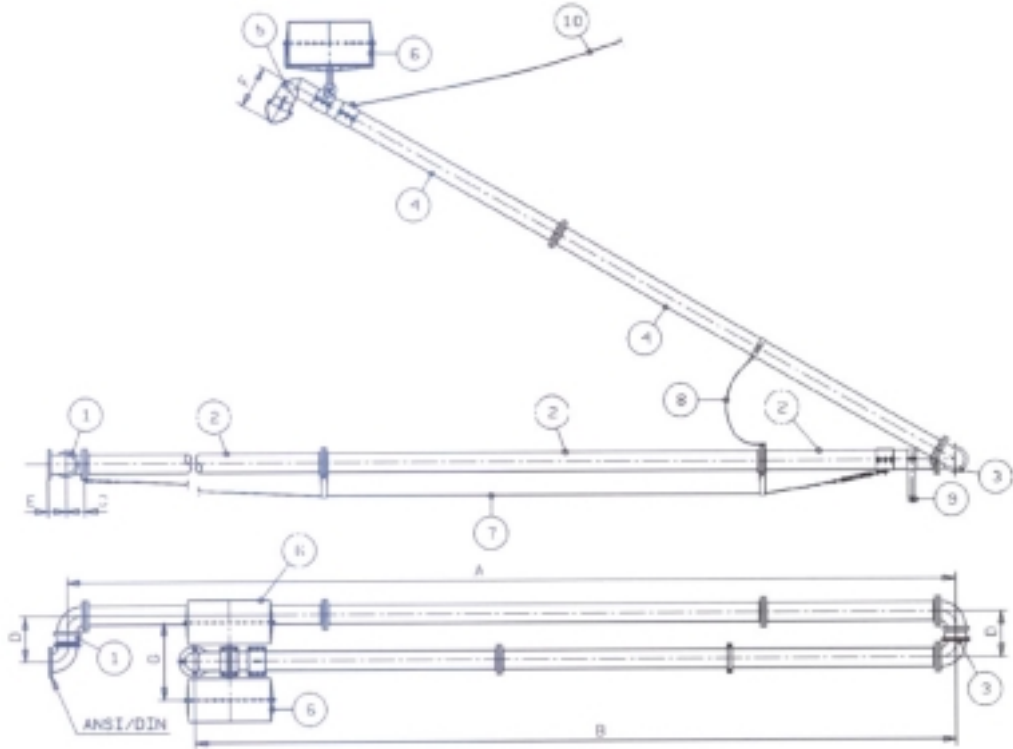


## Floating Suction Unit Double Arm



| Item | Description           | Material         |
|------|-----------------------|------------------|
| 1    | Swivel Joint          | Aluminium        |
| 2    | Primary Tube          | Aluminium        |
| 3    | Swivel Joint          | Aluminium        |
| 4    | Secondary Tube        | Aluminium        |
| 5    | Outlet & Baffle Plate | Aluminium        |
| 6    | Floats                | Aluminium        |
| 7    | Traction Cable        | Stainless Steel  |
| 8    | Restraining Cable     | Stainless Steel  |
| 9    | Support Leg           | Aluminium        |
| 10   | Inspection Cable      | Stainless Steel  |
| NA   | Seals                 | Viton (standard) |

| Size | A  | B   | C   | D   | E*  | F*  | G*  |
|------|----|-----|-----|-----|-----|-----|-----|
| 2    | ** | 91  | 91  | 257 | 500 | 800 | 800 |
| 3    | ** | 129 | 129 | 363 | 500 | 800 | 800 |
| 4    | ** | 125 | 125 | 375 | 500 | 800 | 800 |
| 6    | ** | 190 | 190 | 513 | 500 | 800 | 800 |
| 8    | ** | 210 | 210 | 547 | 500 | 800 | 800 |
| 10   | ** | 226 | 226 | 634 | 500 | 800 | 800 |

(\*) Reference dimension.

(\*\*) Length varies according to tank height.

Dimensions are shown in mm.

### EW Fuel Management Ltd

27 Kneesworth Street, Royston, Hertfordshire,  
 SG8 5AB. England.

Tel : + 44 (0) 1763 248 650 Fax : +44 (0) 1763 248 970

Email : [sales@ewfm.co.uk](mailto:sales@ewfm.co.uk)

Website : [www.ewfm.co.uk](http://www.ewfm.co.uk)

### EWFM Inc.

201 Wild Berry Lane, Harvest, AL,  
 35749 USA.

Tel : 256 417 4315 Fax : 256 417 4322

Email : [sales@ewfuelmanagement.com](mailto:sales@ewfuelmanagement.com)

Website : [www.ewfuelmanagement.com](http://www.ewfuelmanagement.com)