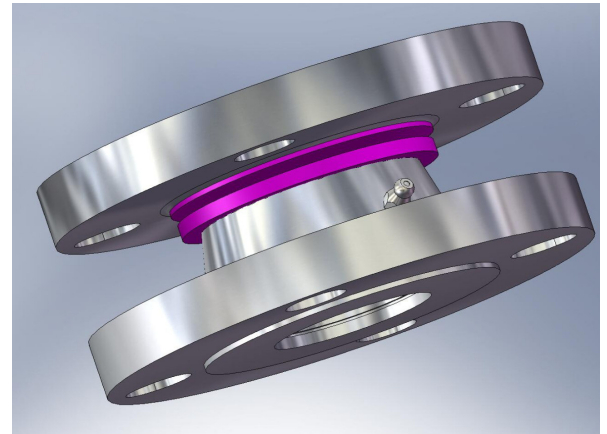


## Compact Swivel Joint

- **Exceptionally compact slim design**
- **Light weight construction**
- **Combination bearings**



**Construction Materials**

Carbon Steel or Stainless Steel

**Seals**

Standard Nitrile. Fluorocarbon or PTFE on request.

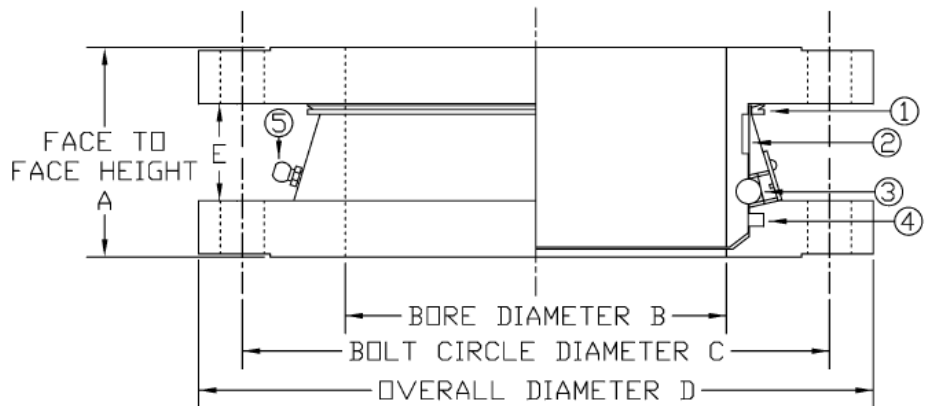
**Sizes (Inches)**

2, 3, 4, 5, 6, 8 other sizes available on request.

**Flanges**

Standard ANSI 150 lb.

- 1) Dust Seal
- 2) Roller Bearings
- 3) Ball Bearings
- 4) Main Seal
- 5) Lubrication Point



Nominal Size	Dimn A (mm)	Dia. B (mm)	Bolt Circle C (mm)	Major Dia. D (mm)	Dimn E (mm)	No. Bolt Holes	Bolt Size (mm)	Rated Working Pressure (PSI)
2"	68	49	121	152	30	4	19	150
3"	78	74	152	191	30	4	19	150
4"	82	97	191	229	34	8	19	150
5"	94	122	216	254	47	8	22	150
6"	95	146	241	279	44	8	22	150
8"	106	194	298	343	49	8	22	150

**EW Fuel Management Ltd**  
27 Kneesworth Street, Royston, Hertfordshire,  
SG8 5AB. England.  
Tel : + 44 (0) 1763 248 650 Fax : +44 (0) 1763 248 970  
Email : sales@ewfm.co.uk  
[www.ewfm.co.uk](http://www.ewfm.co.uk)

**EWFM Inc.**  
201 Wild Berry Lane, Harvest  
AL 35749 USA.  
Tel : 256 417 4315 Fax : 256 417 4322  
Email : sales@ewfuelmanagement.com  
[www.ewfuelmanagement.com](http://www.ewfuelmanagement.com)