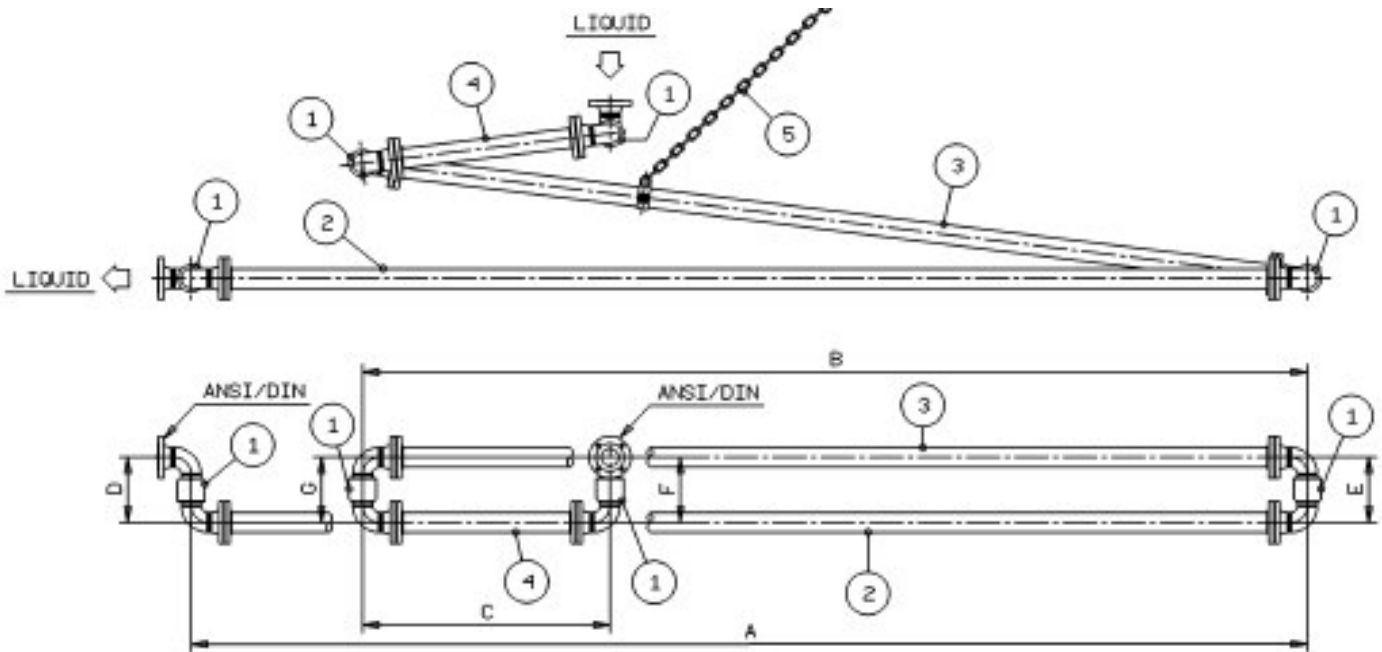


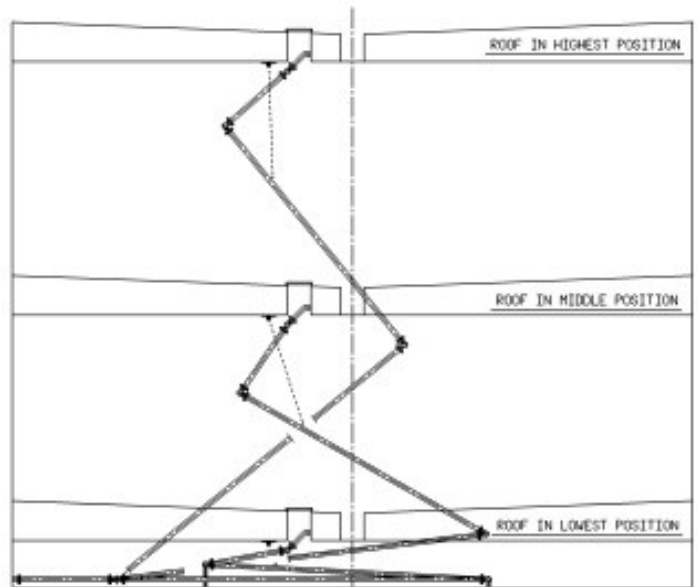
Articulated Roof Drain



Item	Description	Material
1	Swivel Joint (type 2174)	Carbon Steel
2	Flanged Tube Lower	Carbon Steel
3	Flanged Tube Middle	Carbon Steel
4	Flanged Tube Upper	Carbon Steel
5	Support Chain	Carbon Steel
NA	Seals	Viton (standard)

Size	A	B	C	D	E	F	G	H
3	**	**	**	296	296	296	296	-
4	**	**	**	375	500	800	800	-

(**) Length varies according to tank height.
 Dimensions are shown in mm.



EW Fuel Management Ltd

27 Kneesworth Street, Royston, Hertfordshire,
 SG8 5AB. England.
 Tel : + 44 (0) 1763 248 650 Fax : +44 (0) 1763 248 970
 Email : sales@ewfm.co.uk
 Website : www.ewfm.co.uk

EWFM Inc.

201 Wild Berry Lane, Harvest, AL,
 35749 USA.
 Tel : 256 417 4315 Fax : 256 417 4322
 Email : sales@ewfuelmanagement.com
 Website : www.ewfuelmanagement.com